

LUCENT[®]

Installation and Operating Instructions

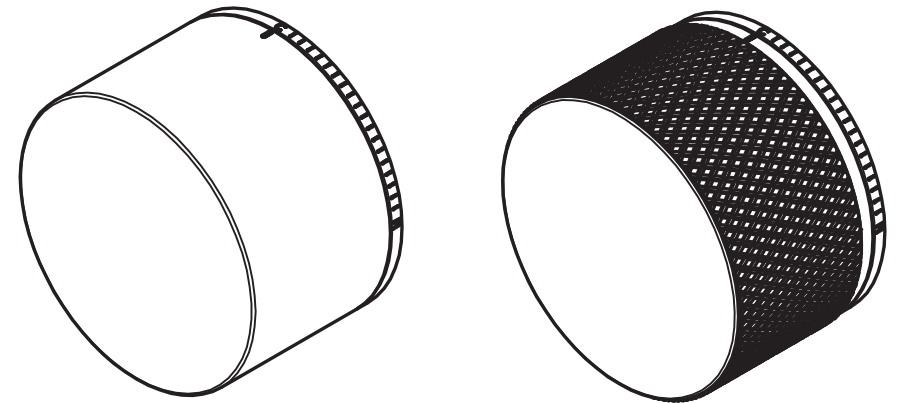
Warranty

Whilst every Lucent product is manufactured to the highest quality standards, we offer a comprehensive Warranty for complete peace of mind.

Residential Use		Commercial Use	
20 Years	Replacement Cartridge	15 Years	Replacement Cartridge
10 Years	Replacement products or parts	7 Years	Replacement products or parts
1 Year	Labour	1 Year	Labour

Warranty may become void due to any of the following:

- Inability to provide proof of purchase or equivalent documentation
- Product not installed by a licensed Plumber
- Failure to install product to national standards and state regulations
- Failure to install product in accordance with manufacturers installation instructions
- Fitting of non-approved flow controllers in tap bodies or outlets
- If products are used for outdoor applications.
- Product used for non-potable water applications.
- Damage because of insufficient flushing of lines prior to installation. Service, repairs, or installation of non-Lucent replacement parts undertaken without Lucent's prior written approval.
- Damage to finishes caused by non adherence to cleaning instructions.



Cleaning Instructions:



CLEAN MICROFIBRE
CLOTH



SOAPY WATER



PH BALANCE
SOAP - BASED
CLEANSER

9929 | 9923

SHOWER / WALL PROGRESSIVE MIXER TRIM KIT

Warranty Service

For all warranty service calls please contact your local store.
Phone: 1300 780 430
E-mail: warranty@lucentdesigns.com.au



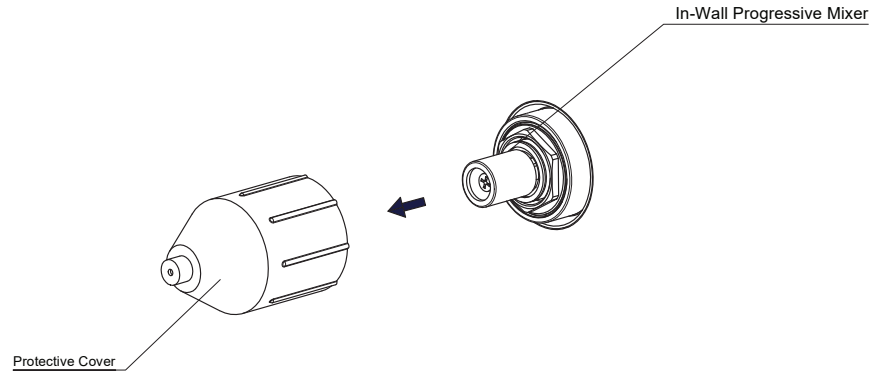
Thank you for purchasing a quality Lucent product. Please note that this product must be installed by a qualified and registered plumber who is compliant with all the relevant regional requirements and who holds current certification.

Note: Please read all instructions prior to installation to limit warranty disputes should a claim arise.

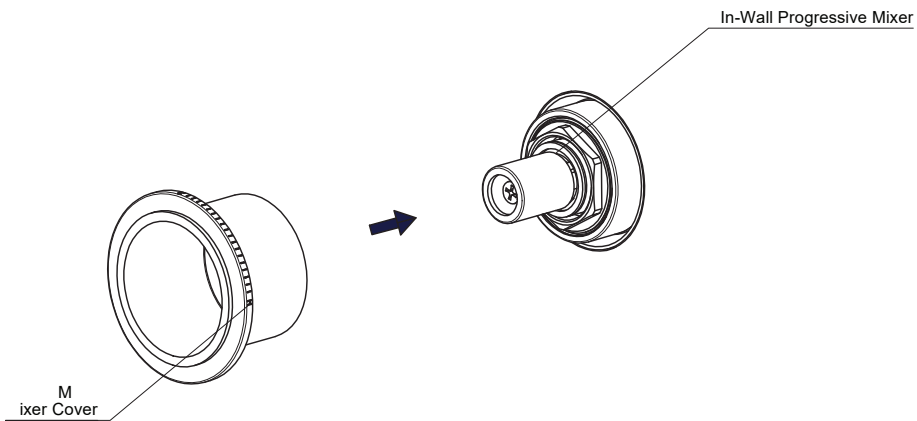
Installation Instructions

Note to Plumber: Please provide this leaflet to the owner after installation.

STEP 1
Remove protective cover from the mixer



STEP 2
Insert mixer cover onto mixer until it stops



STEP 3
Ensuring correct alignment install handle

