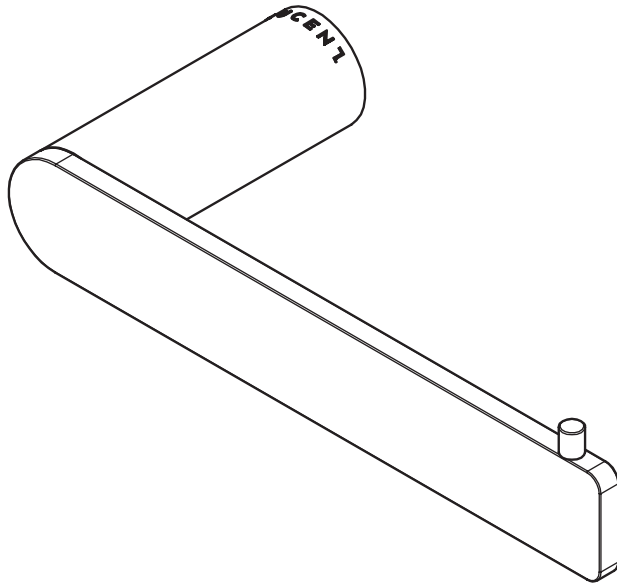


# INSTALLATION INSTRUCTIONS

# LUCENT<sup>®</sup>

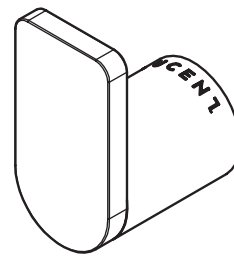
This product must be installed by a licensed plumber. All plumbing work must comply with Australian/New Zealand Standard AS/NZS 3500.  
Note to Plumber: Please provide this leaflet to the owner after installation.



Toilet Roll Holder  
Robe Hook

## Product Codes

91801  
91811

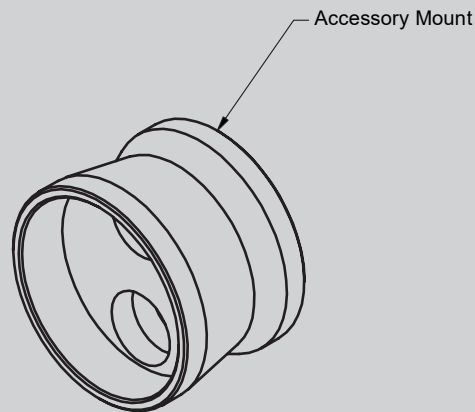


For more information, contact:  
P. 1300 474 714 E. [info@lucentdesigns.com.au](mailto:info@lucentdesigns.com.au)  
Lucent, 15 Activity Crescent, Molendinar, Queensland 4214 Australia

All rights reserved 2024 Lucent. The images shown are for illustration purposes only and may not be an exact representation of the product. Modifications and adjustments may occur over time and the product should be used to confirm marking out and/or rough in as line drawings shown may vary from the item supplied over time. All measurements are in Millimetres and Colours are indicative and may vary from the images shown. Commercial and residential warranties may differ. Please refer to our website for full terms and conditions. <https://lucentdesigns.com.au/pages/warranty>

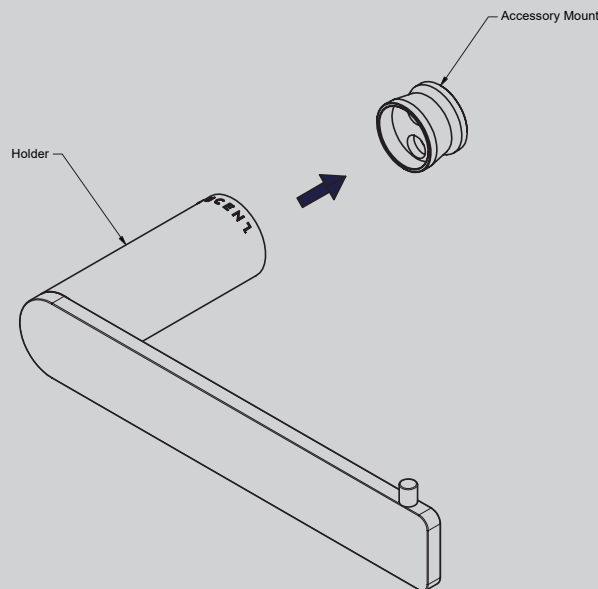
This product must be installed by a licensed plumber. All plumbing work must comply with Australian/New Zealand Standard AS/NZS 3500.  
Note to Plumber: Please provide this leaflet to the owner after installation.

1



1 Using appropriate hardware fix the Accessory Mount to the wall.

2



2 Push the Holder onto the Accessory Mount  
(Note Holder Styles may vary)

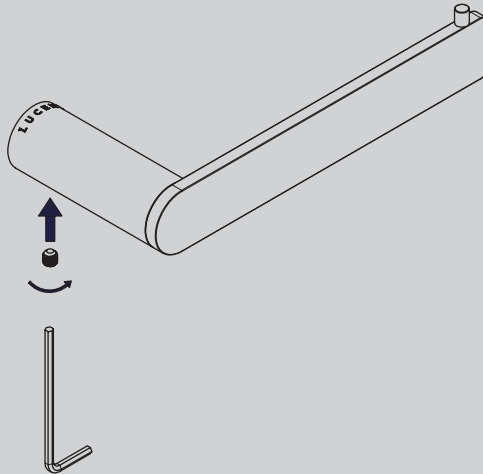


For more information, contact:  
P. 1300 474 714 E. [info@lucentdesigns.com.au](mailto:info@lucentdesigns.com.au)  
Lucent, 15 Activity Crescent, Molendinar, Queensland 4214 Australia

All rights reserved 2024 Lucent. The images shown are for illustration purposes only and may not be an exact representation of the product. Modifications and adjustments may occur over time and the product should be used to confirm marking out and/or rough in as line drawings shown may vary from the item supplied over time. All measurements are in Millimetres and Colours are indicative and may vary from the images shown. Commercial and residential warranties may differ. Please refer to our website for full terms and conditions. <https://lucentdesigns.com.au/pages/warranty>

This product must be installed by a licensed plumber. All plumbing work must comply with Australian/New Zealand Standard AS/NZS 3500.  
Note to Plumber: Please provide this leaflet to the owner after installation.

3



3 Secure both screws using the provided hex key.



For more information, contact:  
P. 1300 474 714 E. [info@lucentdesigns.com.au](mailto:info@lucentdesigns.com.au)  
Lucent, 15 Activity Crescent, Molendinar, Queensland 4214 Australia

All rights reserved 2024 Lucent. The images shown are for illustration purposes only and may not be an exact representation of the product. Modifications and adjustments may occur over time and the product should be used to confirm marking out and/or rough in as line drawings shown may vary from the item supplied over time. All measurements are in Millimetres and Colours are indicative and may vary from the images shown.  
Commercial and residential warranties may differ. Please refer to our website for full terms and conditions. <https://lucentdesigns.com.au/pages/warranty>

# INSTALLATION INSTRUCTIONS

# LUCENT®

## Maintenance & Care Guidelines

This product must be installed by a licensed plumber. All plumbing work must comply with Australian/New Zealand Standard AS/NZS 3500.  
 Note to Plumber: Please provide this leaflet to the owner after installation.

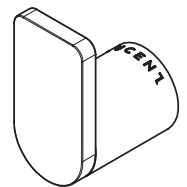
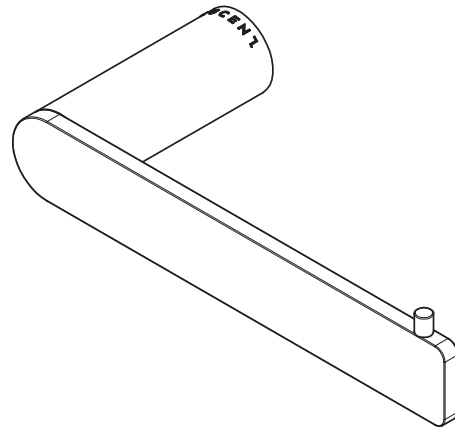
Thank you for purchasing a quality Lucent product. Please note that this product must be installed by a qualified and registered plumber who is compliant with all the relevant regional requirements and who holds current certification.

Note: Please read all instructions prior to installation to limit warranty disputes should a claim arise.

Whilst every Lucent product is manufactured to the highest quality standards, we offer a comprehensive warranty for complete peace of mind.

## Care Instructions

We recommend cleaning tapware and accessories using only warm water and mild soap. Avoiding abrasive detergents (in powder or liquid form), harsh chemicals, alcohol, acids or any other aggressive substances. Do not use abrasive brushes or sponges, wax-based creams or cleaners containing ammonia or bleach as these may damage the surface and/or compromise the finish. Coloured finish products should be cleaned gently with a soft, dry or dampened microfibre with warm soapy water, wiping in one direction only and without excessive pressure. Acetone and silicones must never be used during installation. When using tile or grout cleaners nearby, protect all fittings and rinse thoroughly with clean water to prevent long-term damage. Failure to follow these instructions may result in damage to the product not covered under warranty.



## Residential Warranty Use

Category	Warranty Period	Inclusions	Details
Mixers	20 Years	Replacement cartridge	Replacement of product or components exclusively. Damages to ceramic discs caused by copper pieces, plastic, sand, dirt, thread tape or any other material are excluded.
	10 Years	Replacement product or parts	
	2 Years	Labour	
	2 Years	Flexible hoses, spray nozzle	
	2 Years	Pull out hand piece	
Tapware <small>(Three piece)</small>	10 Years	Replacement product or parts	Replacement of product or components exclusively.
	2 Years	Labour	
	1 Year	Ceramic disc and jumper valve	
Showers & Outlets	15 Years	Replacement product or parts	Replacement of product or components exclusively
	2 Years	Labour	
	2 Years	Flexible hoses	
Accessories	7 Years	Replacement product or parts	Replacement of product or components exclusively
Wastes & Traps	1 Year	Replacement product or parts	
Drains	10 Years	Replacement product or parts	
PVD & Chrome Finish	10 Years	Replacement product or parts	
Electroplated Finish	2 Years	Replacement product or parts	Replacement of product or components exclusively. Excludes scratches, dents, and typical wear and tear after installation. Does not cover corrosion from harsh cleaners, hard water, or coastal

## Commercial Warranty Use

Category	Warranty Period	Inclusions	Details
Mixers	15 Years	Replacement cartridge	Replacement of product or components exclusively. Damages to ceramic discs caused by copper pieces, plastic, sand, dirt, thread tape or any other material are excluded.
	7 Years	Replacement product or parts	
	1 Year	Labour	
	1 Year	Flexible hoses, spray nozzle	
	1 Year	Pull out hand piece	
Tapware <small>(Three piece)</small>	15 Years	Replacement product or parts	Replacement of product or components exclusively.
	1 Year	Labour	
	1 Year	Ceramic disc and jumper valve	
Showers & Outlets	5 Years	Replacement product or parts	Replacement of product or components exclusively
	1 Year	Labour	
	1 Year	Flexible hoses	
Accessories	1 Year	Replacement product or parts	Replacement of product or components exclusively
Wastes & Traps	1 Year	Replacement product or parts	
Drains	10 Years	Replacement product or parts	
PVD & Chrome Finish	1 Year	Replacement product or parts	
Electroplated Finish	1 Year	Replacement product or parts	Replacement of product or components exclusively. Excludes scratches, dents, and typical wear and tear after installation. Does not cover corrosion from harsh cleaners, hard water, or coastal



For more information, contact:  
 P. 1300 474 714 E. [info@lucentdesigns.com.au](mailto:info@lucentdesigns.com.au)  
 Lucent, 15 Activity Crescent, Molendinar, Queensland 4214 Australia

All rights reserved 2024 Lucent. The images shown are for illustration purposes only and may not be an exact representation of the product. Modifications and adjustments may occur over time and the product should be used to confirm marking out and/or rough in as line drawings shown may vary from the item supplied over time. All measurements are in Millimetres and Colours are indicative and may vary from the images shown.  
 Commercial and residential warranties may differ. Please refer to our website for full terms and conditions. <https://lucentdesigns.com.au/pages/warranty>